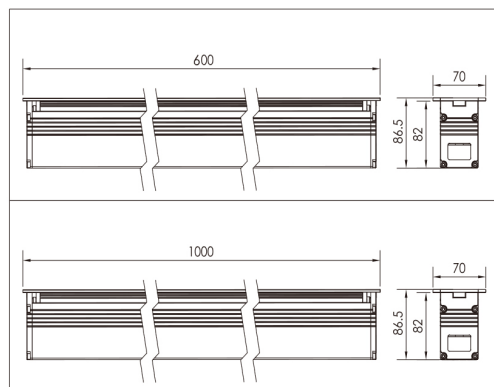


Recessed LED Inground Lamp

INDUCTION COUPLING

SS316


GENERAL SPECIFICATION

Product Family	AL-BD18-3
Voltage supply	AC220-240V 50/60Hz 24VDC
Operating temperature range Ta	-15/+50 ° C
Maintenance & cleaning	H2O; Antistatic tissu
Sources of light	COB
Brand of sources	CREE
Mac Adam range	+/- 150K (Mac adam 3)
Life time L80B10 at 25° C	50000hrs
Life time L70B50 at Ta Max	35000hrs
Brand of Driver	AC PCB-B
Cycles on/off	>25000
Defective rate Driver at 5000hrs	2%
Ripple current	- Flicker free
Position driver on fixture	Induction - integrated
Body material	Aluminum/Stainless steel 316L
Diffuser material	Tempered Glass
Réflector material	-
Closing clips material	-
Fixation	Spring fixation
Electrical network inteface	Cable 1.5m H05RNF 2G 16A
Surge protection	
Vandal proof	-
Throught wiring	-
Accessories	-
Remarks	-

LIFE TIME AND WARRANTY

Nominal life time	50000hrs
Warranty	5 years

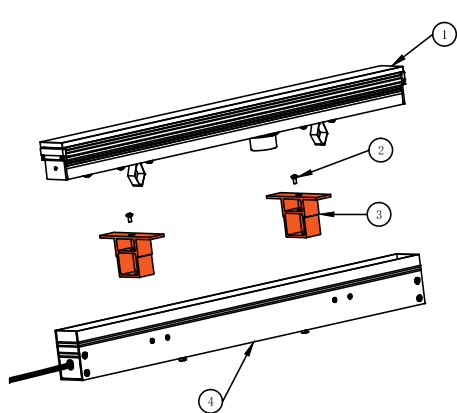
NORMS & DIRECTIVES

Nominal norms marking	CE /TUV/GS
CE directive	CEI 60598-1 CEI 60598-2-2 : 2012
Security Photobiological	CEI 62471 - : 2008 : RGO
Inflammable surface compliancy	F
Other marking	ASTM B117

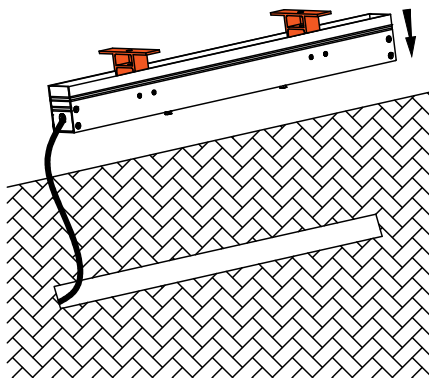
OPTIONS

Dimming	NONE
CCT color temperature	3000K [3]; 5000k [5]; 6000K [6]; Blue [B]; Green [G]; Red [G]
CRI color rending index	-
Coulor of product	-
Reflector/Optic	-
Mounting accessories	Earth pole [LX002]; concrete basket [LX001]
Other option	-

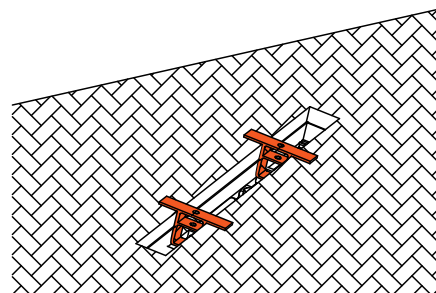
Installation Instructions



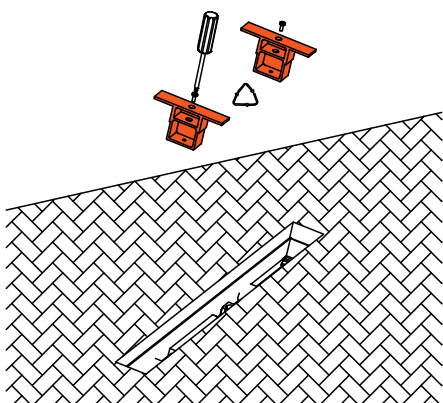
1) Cut a Channel to the size of the aluminium base (4). Connect the fixture cable to a Gel sealed IP68 box. Do not cut the fixture cable. Add the fixings (3) into the Aluminium channel (4) and fit into the ground.



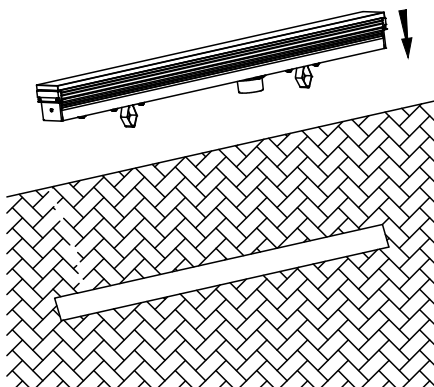
2) Ensure that the fixings (3) are Horizontal and flat. The base must be locked in place by a binder, be that silicone or concrete. Wait for the binder to set.



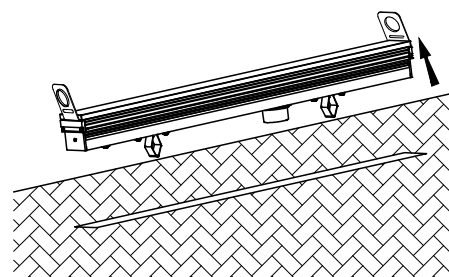
3) Remove the fixings.



4) Take the head (1) ensuring the probe matches inside the channel (4) and place the head in place ensuring this is correctly located.



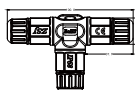
5) To remove the head use the additional removal brackets. Locate one at either end and pull at same time to remove.



Follow installation instructions carefully. Ensure all below ground termination is totally sealed. Do not shorten the cable lengths provided on the fixture. Ensure all power is Off during installation until circuit is complete.

IP68 Connector:

AL-68CT



AL-68CS

