

LED Illustro

Inground 18W COB



Product Spec:

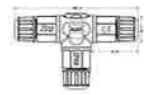
Product Code	Dimension L*W[mm]	Power [W]	Input Voltage [V]	Efficiency [lm/W]	Color Temp[K]	CRI	Beam Angle	IP	LED Chip
AL-ILL230-COB-D-18W	Φ233*183mm	18W	AC110V/AC220V/DC24V	1350-1450lm	3000K-6000K	≥80	40°	IP67	CREE 3535
AL-ILL230-COB-F-18W	Φ233*183mm	18W	AC110V/AC220V/DC24V	1350-1450lm	3000K-6000K	≥80	40°	IP67	CREE 3535

Details:



PATENTED

AL-68CT

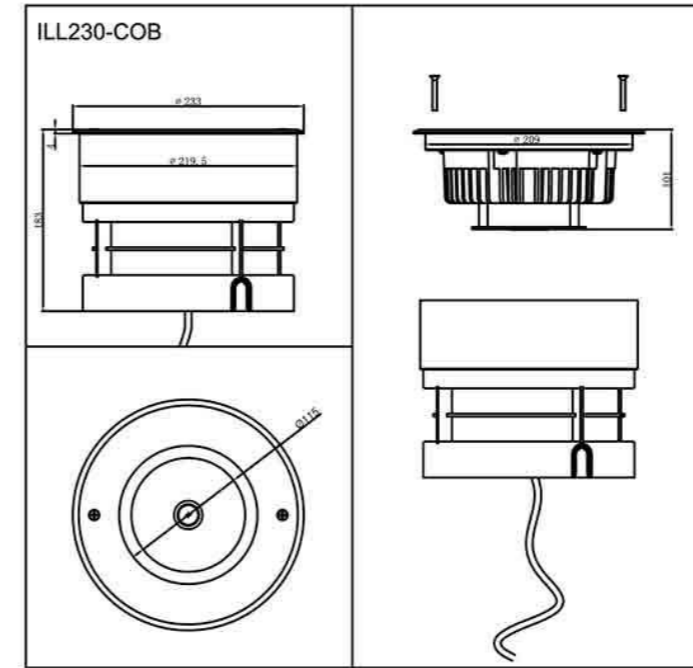


AL-68CS

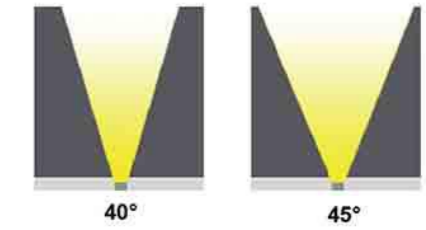


LED Illustro

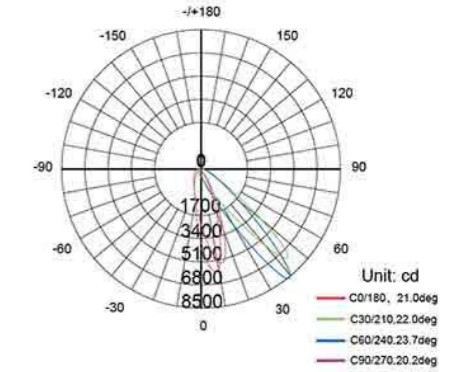
Dimension(mm):



Beam Angle:

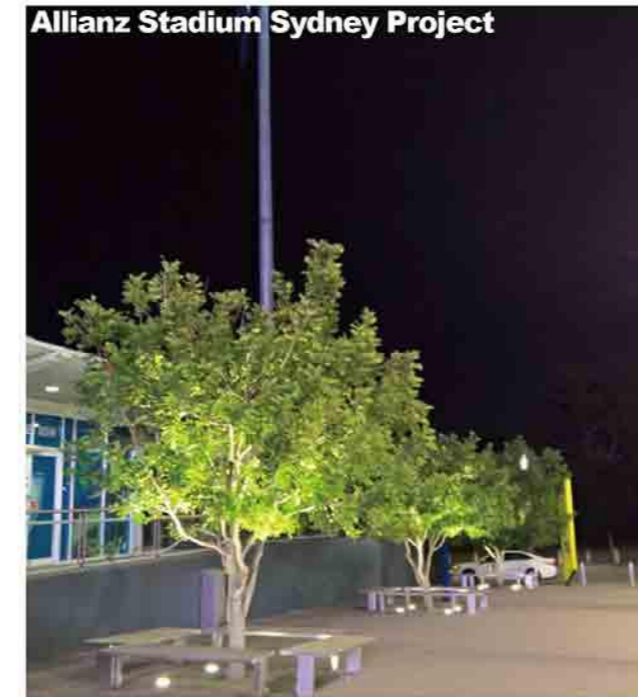


Luminous Intensity Distribution:



AVERAGE BEAM ANGLE(50%):21. DEG

Allianz Stadium Sydney Project



LED Illustro

Inground 18W



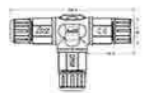
Product Spec:

Product Code	Dimension L*W[mm]	Power [W]	Input Voltage [V]	Efficiency [lm/W]	Color Temp[K]	CRI	Beam Angle	IP	LED Chip
AL-ILL230-18W	Φ227*133mm	18W	AC110V/AC220V/DC24V	1350-1450lm	3000K-6000K	≥80	25°/40°/60°	IP67	CREE 3535

Details:



AL-68CT

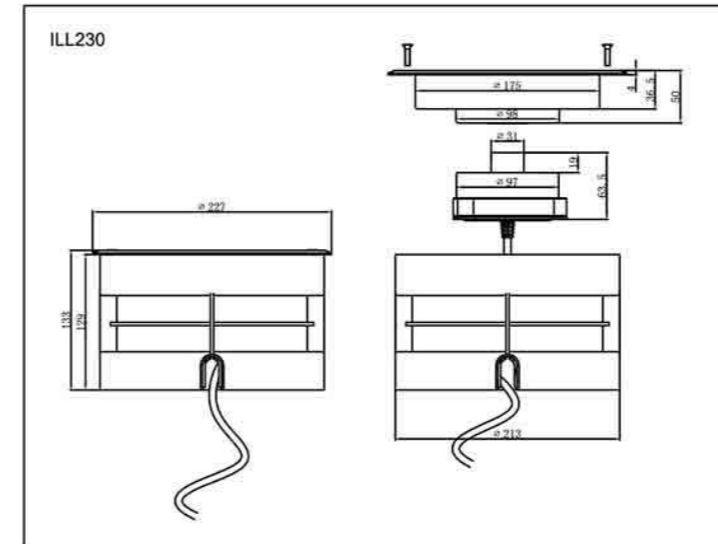


AL-68CS

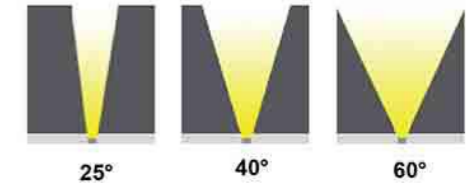


LED Illustro

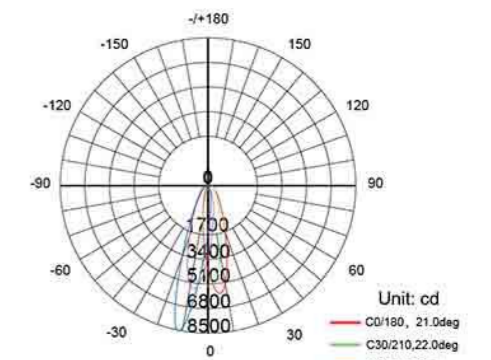
Dimension(mm):



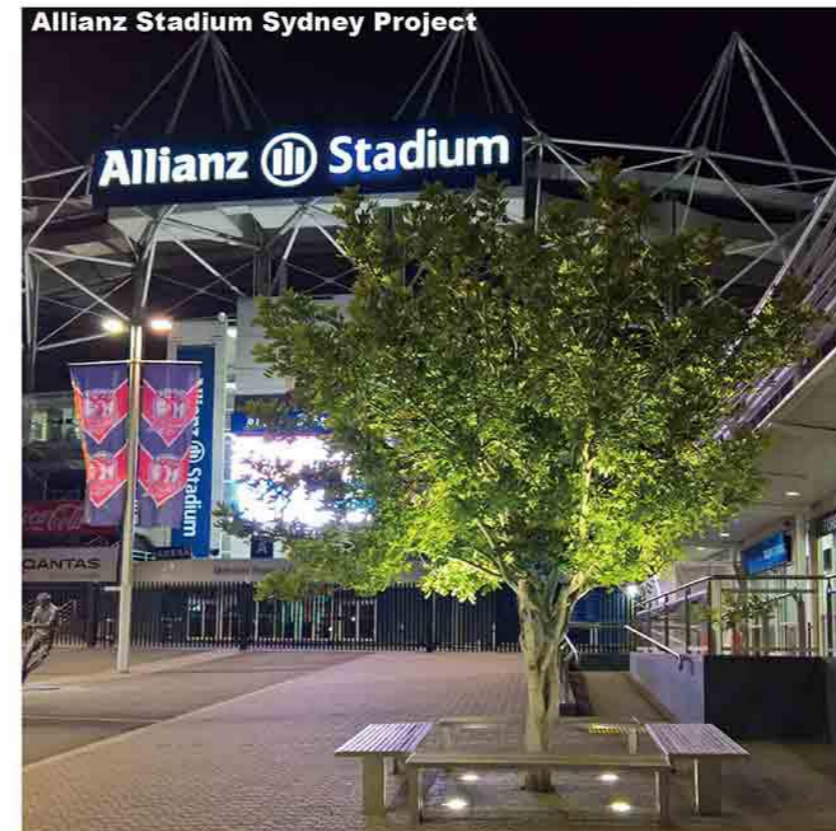
Beam Angle:



Luminous Intensity Distribution:



AVERAGE BEAM ANGLE(50%):21. DEG



LED Illustro

Bricklight



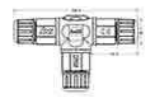
Product Spec:

Product Code	Dimension L*W[mm]	Power [W]	Input Voltage [V]	Efficiency [lm/W]	Color Temp[K]	CRI	Beam Angle	IP	LED Chip
AL-ILLBRK280-6w	Φ280*112*100mm	6W	AC220-240V	80lm/W	3000K-6500K	≥80	120°	IP65	CREE 3535
AL-ILLBRK280-9W	Φ280*112*100mm	9W	AC220-240V	80lm/W	3000K-6500K	≥80	120°	IP65	CREE 3535

Details:



AL-68CT

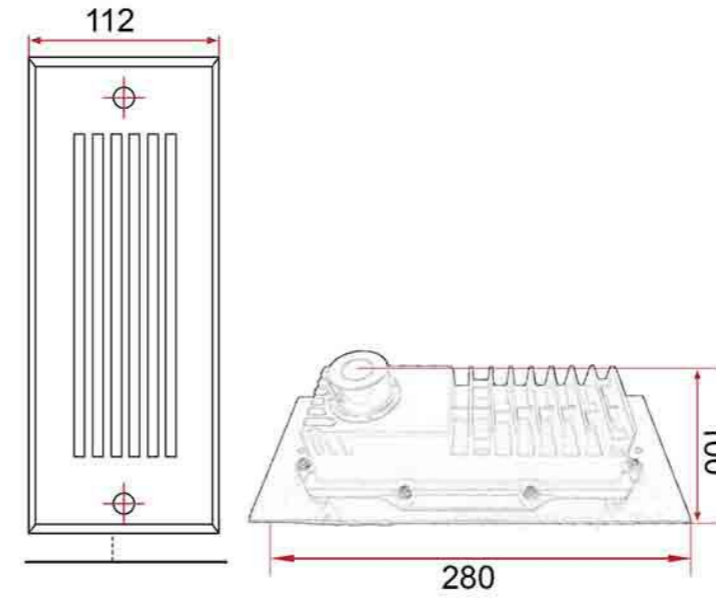


AL-68CS

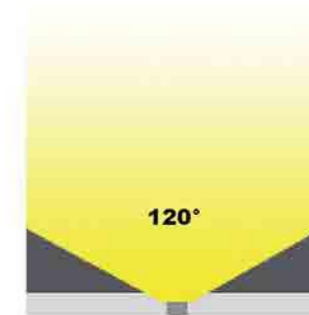


LED Illustro

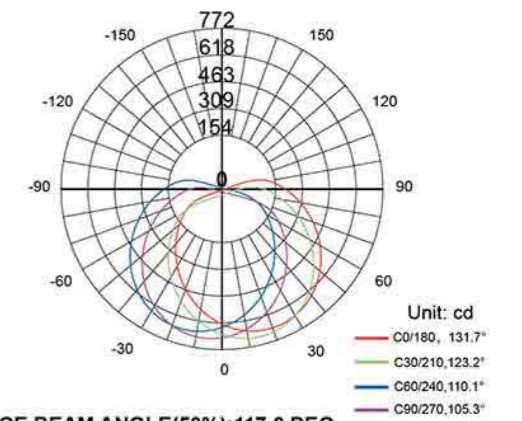
Dimension(mm):



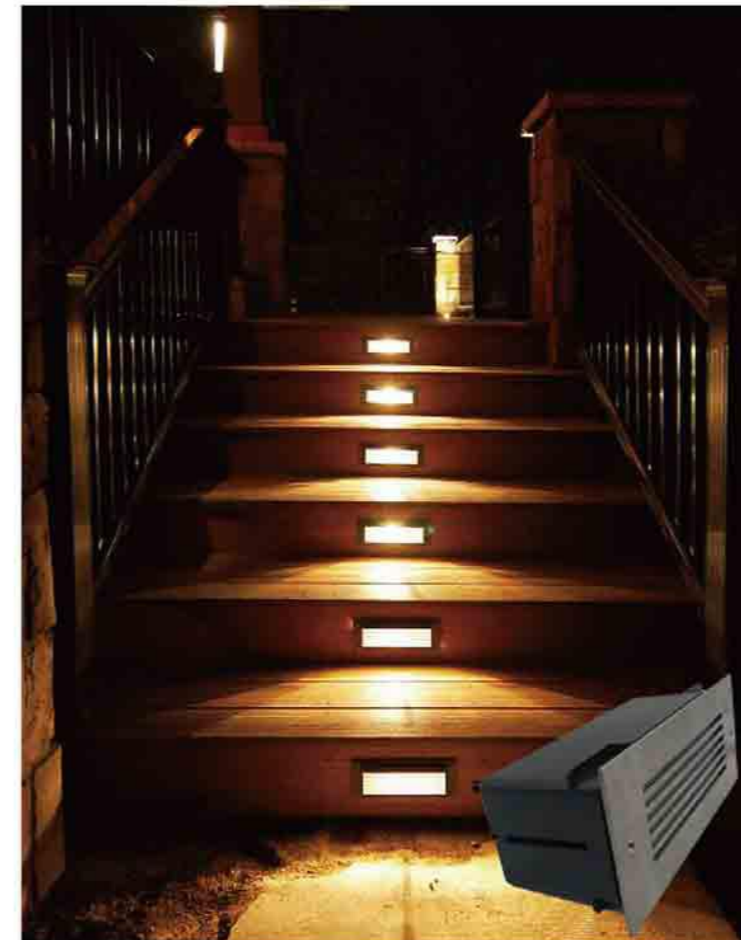
Beam Angle:



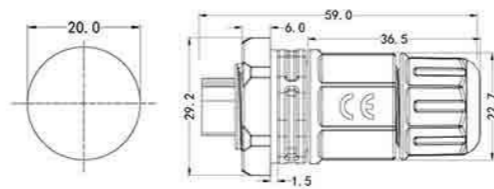
Luminous Intensity Distribution:



AVERAGE BEAM ANGLE(50%):117.6 DEG

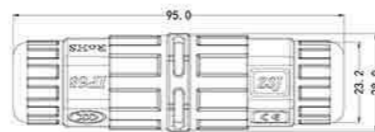


Waterproof Connector





Specification:

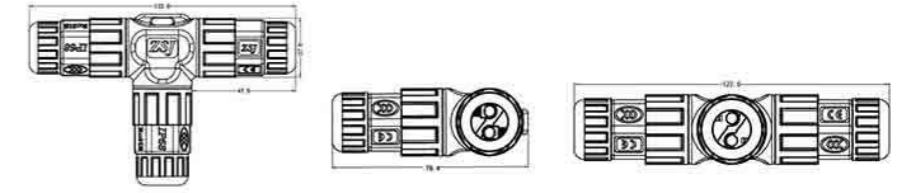
Pin Layout	 2Pole	 3Pole	 4Pole
Contact diameter	4.5mm	4.5mm	3.5mm
Rated Voltage	500V	500V	500V
Current Rating	20A	20A	20A
Withstand Voltage	1500V	1500V	1500V
Diameter	3mm-12mm		
Wire specifications	0.2mm ² 4.0mm ² (24AWG-12AWG)		
Waterproof Level	IP68		
Operating Temperature	-45°C-105°C		
Butt connection	Thread		
connection mode	crew		



Specification:

Pin Layout	 2Pole	 3Pole	 4Pole	 5Pole
Contact diameter	5.5mm	5.5mm	4.5mm	4.5mm
Rated Voltage	500V	500V	300V	300V
Current Rating	35A	35A	20A	20A
Withstand Voltage	1500V	1500V	1500V	1500V
Diameter	3mm-14.5mm			
Wire specifications	0.2mm ² 6.0mm ² (24AWG-10AWG)			
Waterproof Level	IP68			
Operating Temperature	-45°C-105°C			
Butt connection	Thread			
connection mode	crew			

Waterproof Connector



Specification:

Pin Layout	 2Pole	 3Pole	 4Pole	 5Pole
Contact diameter	5.5mm	5.5mm	4.5mm	4.5mm
Rated Voltage	500V	500V	300V	300V
Current Rating	35A	35A	20A	20A
Withstand Voltage	1500V	1500V	1500V	1500V
Diameter	3mm-14.5mm			
Wire specifications	0.2mm ² 6.0mm ² (24AWG-10AWG)			
Waterproof Level	IP68			
Operating Temperature	-45°C-105°C			
Butt connection	Thread			
connection mode	crew			



Specification:

Pin Layout	 2Pole	 3Pole	 4Pole	 5Pole
Contact diameter	5.5mm	5.5mm	4.5mm	4.5mm
Rated Voltage	500V	500V	300V	300V
Current Rating	35A	35A	20A	20A
Withstand Voltage	1500V	1500V	1500V	1500V
Diameter	3mm-14.5mm			
Wire specifications	0.2mm ² 6.0mm ² (24AWG-10AWG)			
Waterproof Level	IP68			
Operating Temperature	-45°C-105°C			
Butt connection	Thread			
connection mode	crew			